

LIFTMAK

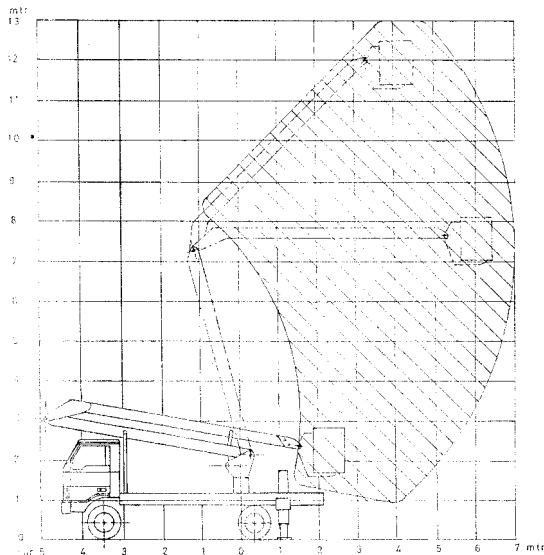
HYDRAULIC ACCESS PLATFORM TWIN BOOM ARTICULATED

(TECHNICAL DATA)

TECHNICAL SPECIFICATIONS:

- * MAXIMUM WORKING HEIGHT.....13.0 MTR.
- * MAXIMUM HEIGHT TO CAGE FLOOR.....11.5 MTR.
- * MAXIMUM OUTREACH.....7.0 MTR.
- * SAFE WORKING LOAD.....250 KG.
- * TRAVELLING HEIGHT.....3.2 MTR.
- * TRAVELLING WIDTH.....2.1MTR.
- * TRAVELLING LENGTH.....7.4 MTR.
- * SLEWING.....360 DEGREE CONTINUOUS BOTH SIDES.
- * CAGE SIZE.....1.1 M X 0.7 M X 1.1M.
- * CAGE INSULATION.....600 VOLTS.

NOTE: Underlined dimensions chassis dependent



Salient Features

- Strong & sturdy box section booms
- 360 degree continuous slewing on either side
- A-frame or out & down type stabilizers
- Precision honed cylinder tubes
- Hard Chrome plated piston rods
- Cage levelling to keep cage horizontal
- Insulated or steel working cage
- Booms control at base as well as in the cage
- Non-skid steel decking
- Emergency hand pump to stow platform
- Lock valves at boom & stabilizer cylinders
- Boom to stabilizer interlocks
- Warning lamps at stabilizer pads
- Suction & return line filter to cleanse hydraulic oil
- Emergency stops provided at base & cage
- Spot light at cage
- Safety-belt anchor points at cage
- Automatic stops to prevent reaching unsafe area
- Equipment tested at 50% overload

OTHER SIMILAR PRODUCTS

